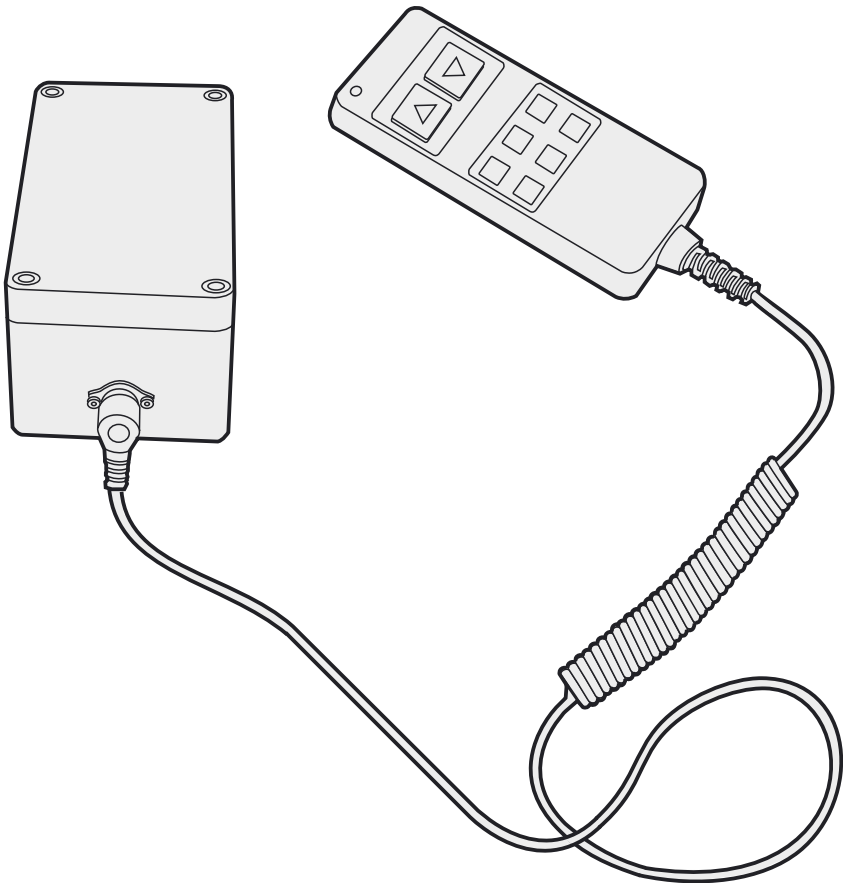
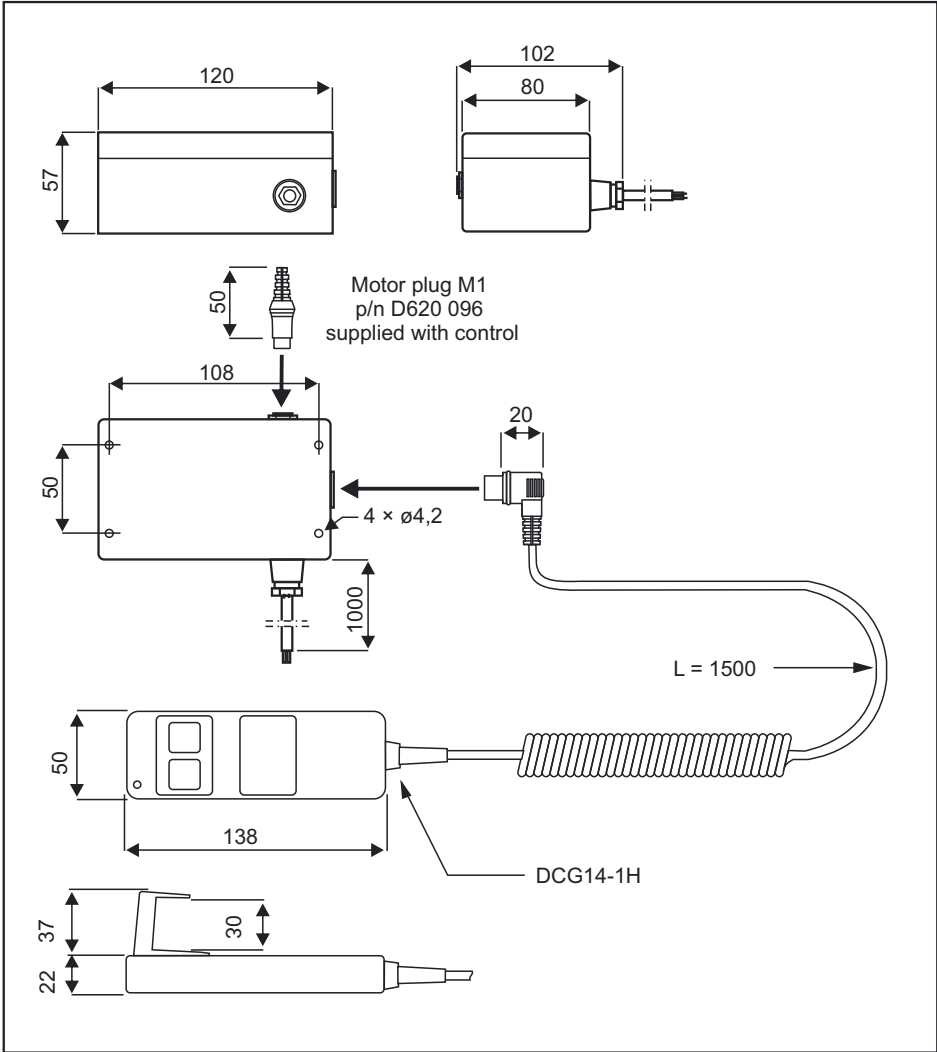


Installation manual for actuator controls type AC-247 ELS



CE

Basic mounting and dimensions



Environment



Min. -20 °C



Max. + 60 °C

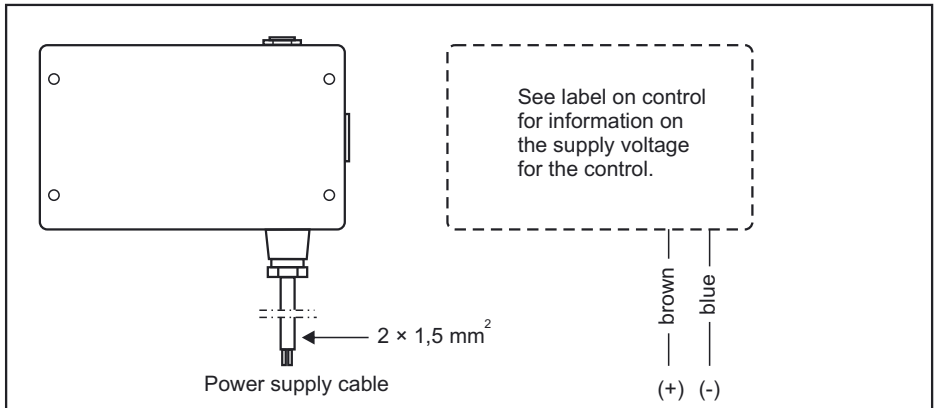


IP54

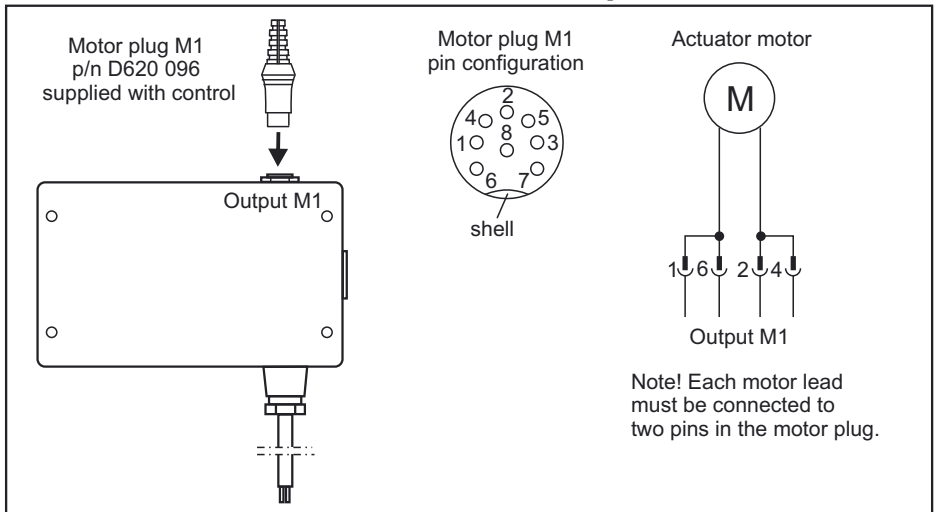
CAUTION!

Always turn the power off before working with the control or the wiring.

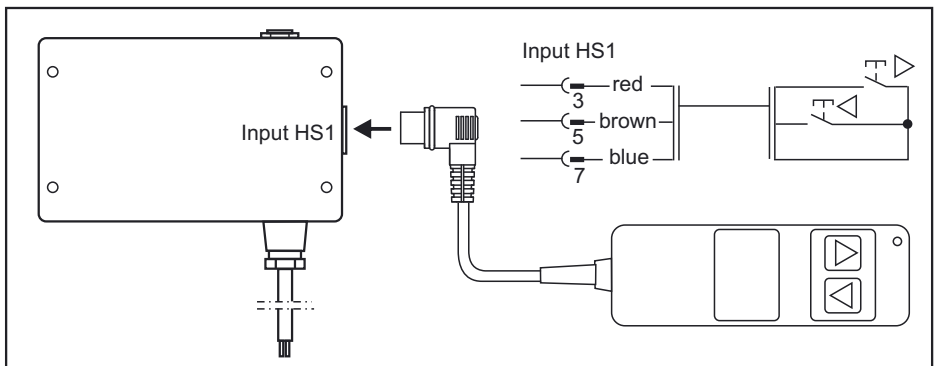
Connection to power supply cable



Connection to actuator motor output M1



Connection to hand control input HS1



Technical data

| | D604110* | D604111* | D604112* |
|----------------------------------------------------------------------------|------------------------------|-----------------|-----------------|
| Supply voltage ($\pm 10\%$) | 12 or 24 Vdc | 12 Vdc | 24 Vdc |
| Output voltage | 12 or 24 Vdc | 12 Vdc | 24 Vdc |
| Output current, max. @ 12 Vdc output voltage @ 24 Vdc output voltage | 10 A 5 A | 12 A – | – 8 A |
| Weight of control | 0,3 kg | 0,3 kg | 0,3 kg |
| Power supply cable length | 1 m | 1 m | 1 m |
| Operating temperature limits | -20 – +60 °C | -20 – +60 °C | -20 – +60 °C |
| Max. duty cycle @ 25 °C | 10 % | 10 % | 10 % |
| Protection class | IP54 | IP54 | IP54 |
| Electronic Limit Switches (ELS) ** | yes | yes | yes |
| Limit switch inputs | no | no | no |
| Hand control included | DCG14-1H | DCG14-1H | DCG14-1H |
| | HAND CONTROL DCG14-1H | | |
| Weight | 0,4 kg | | |
| Cable length | 1,5 m | | |
| | | | |
| | | | |
| | | | |
| | | | |
| | | | |

* See label on the control for information on the type of control.

** Electronic Limit Switches is a function that monitors the current. When the current exceeds a pre-set value the motor is stopped from moving in that direction.

CAUTION!

Make sure to always turn the power off before working on the actuator or the wiring.

TOLLO LINEAR AB

PRINTED IN SWEDEN © 2006 DW110550gb-0607
Printed on recycled paper

Box 9053, SE-291 09 Kristianstad, Sweden
Tel. +46 (0)44-246700 Fax. +46 (0)44-244085